

NICHIRYO

ACCUPENSER™ DISPENSER JUNIOR



TABLE OF CONTENTS

FEATURES	2	DISMANTLING AND REASSEMBLING	4, 5, 6
SPECIFICATIONS	2	CLEANING	6
PARTS AND MATERIALS	3	STERILIZING	6
OPERATION	4	REPLACEABLE PARTS	7

PARTS AND MATERIALS

- | | |
|--|--|
| 1. Post Knob (Polycarbonate) | 10. Extension Dispense Tube (Silicone Rubber) |
| 2. Post Knob Screw (Chrome plated Brass) | 11. Glass Tip with Holder (Pyrex® Glass & Polypropylene) |
| 3. Post Holder Assembly (Chrome plated Brass) | 12. Washer (Teflon®) |
| 4. Post with Scale (Polycarbonate) | 13. Lock Nut for Post Holder (Teflon®) |
| 5. Volume Indicator with Screw (Polyphenylenesulphate) | 14. Lock Nut for Barrel Assembly (Tefzel®) |
| 6. Plunger Assembly (Pyrex® Glass & Polypropylene) | 15. Barrel/Nozzle Joint Tube (Teflon®) |
| 7. Bottle Cap (Polyphenylenesulphate) | 16. Barrel Assembly (Pyrex®) |
| 8. Dispense Nozzle (Pyrex® Glass) | 17. Inlet Tube (Teflon®) |
| 9. Dispense Nozzle Cap (Polypropylene) | 18. Amber Bottle (Borosilicate Glass) |
| | 19. Funnel (Polypropylene) |

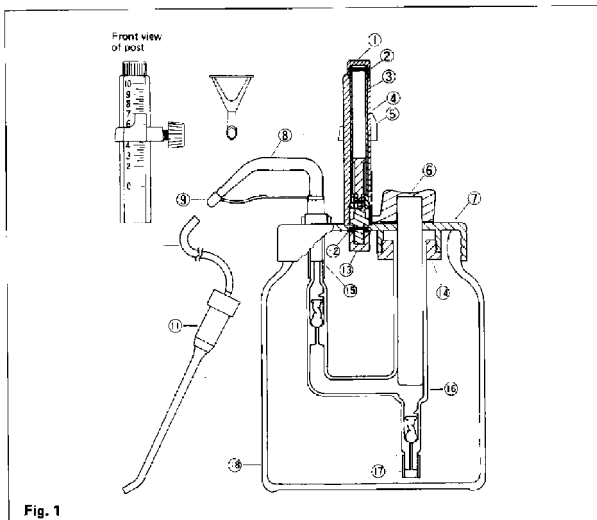


Fig. 1

FEATURES

- Dispensing mechanism is chemically inert, permitting use with most liquids except Hydrofluoric Acid.
- Graduated scale can be moved to lie horizontally without altering volume setting. This reduces the height of the dispenser which facilitates storage in a refrigerator.
- A recycling hole on the threaded bottle cap permits priming of the dispenser with the provided extension dispense tube without loss of reagent.
- The bottle can be refilled with the liquid through the recycling hole, without disassembling the dispenser, using the funnel provided.
- A silicone rubber extension dispense tube with a glass tip permits liquid to be dispensed without moving either the dispenser or the receptacle. (Optional Teflon® extension dispense tube is available.)
- A unique twisted glass valve reduces the pressure due to the liquid when the plunger is operated.
- A provided heavy bottle, made of borosilicate glass, gives stability to the instrument.
- The Accupenser Junior is autoclavable at 121°C or below.

SPECIFICATIONS

Accuracy: < ±1.0%

Reproducibility: < ±0.1%

Cat. No.	Volume Range	Increments	Size of provided bottle
AJ-1	0.2 ~ 1.0 ml	0.05 ml	250 ml
AJ-2	0.4 ~ 2.0 ml	0.1 ml	250 ml
AJ-5	1.0 ~ 5.0 ml	0.1 ml	500 ml
AJ-10	2.0 ~ 10.0 ml	0.25 ml	1000 ml
AJ-30	5.0 ~ 30.0 ml	1.0 ml	2000 ml

The Accupenser Junior is supplied with a silicone extension dispense tube with a glass tip, a dispense nozzle cap and a funnel.

- 2 -

OPERATION

1. Set the desired volume to be dispensed on the scale by loosening the screw on the volume indicator and setting it against the volume required. The screw should then be tightened.
2. Attach the silicone extension dispense tube on to the dispense nozzle firmly. It is recommended to wet the end of the tube with a small amount of water for easier attachment. (When using with the optional Teflon® extension dispense tube the dispense nozzle should be changed to the one supplied with the Teflon® tube.) The dispenser may be used without the extension tube.
3. The dispenser should be primed by inserting the glass tip of the extension dispense tube into the recycling hole on the threaded bottle cap and moving the plunger up and down until all air bubbles have been eliminated from the barrel, nozzle and tube.
4. To use the dispenser, lift the plunger until it reaches the volume indicator, then depress the plunger as far as it will go. The dispense glass tip or the dispense nozzle should touch the inside wall of the receptacle. The glass tip of the extension tube should be held higher than the liquid surface in the bottle to prevent siphoning. While the dispenser is not used, the glass tip holder should be placed into the recycling hole.
5. To lower the "post with scale" for storage purposes, turn the post knob counter-clockwise 2 to 3 turns and pull the post up vertically so that the post becomes free to move.
6. The post can be folded to lie horizontally on the threaded bottle cap with the volume indicator being fixed on the post.
7. To use the dispenser after storage with the post folded, return the post to the vertical position so that the surface of the post with the scale faces toward the plunger handle. Depress the post so that it fits into the hollow on the threaded bottle cap. Tighten the post knob firmly by turning it clockwise.
8. To refill the glass bottle with liquid, the provided funnel may be used, inserted through the recycling hole.

DISMANTLING AND REASSEMBLING

1. Loosen the screw of the volume indicator and remove the indicator from the post.
2. Pull the plunger up vertically and remove it from the barrel.
3. Gently disconnect the silicone tube from the barrel whilst holding the barrel with one hand, and remove the nozzle and the silicone tube from the bottle cap as shown below.

- 4 -

- To remove the barrel assembly from the threaded bottle cap, carefully loosen the "lock nut for barrel assembly" by turning it counter-clockwise. A pair of pliers may be used. Remove the lock nut with the barrel assembly from the cap.
- To remove the post from the cap, using a pair of pliers, carefully loosen the "lock nut for post holder" by turning it counter-clockwise. Remove the lock nut from the post holder, and then remove the post from the cap.

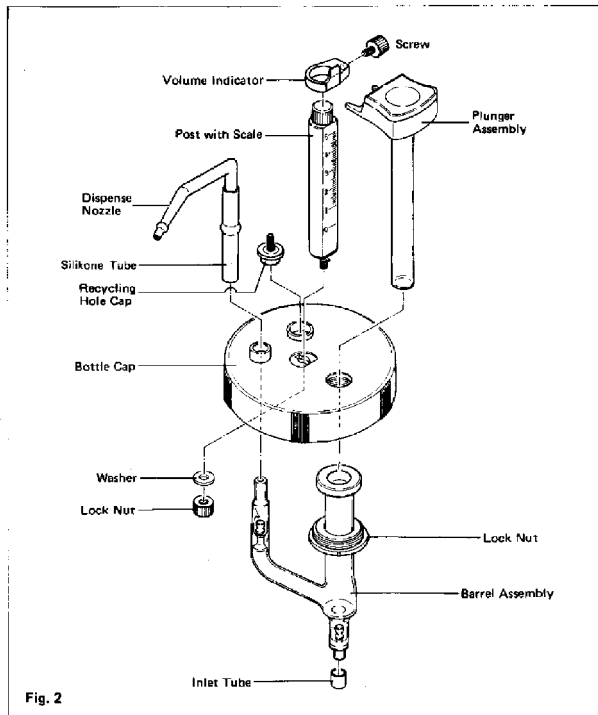


Fig. 2

- 5 -

- After cleaning or replacing parts, reassemble the dispenser, following the reverse of the dismantling process. Make sure that all threaded parts are tightened firmly. Looseness on these parts may affect the accuracy and precision of the dispenser.

CLEANING

- After use, rinse the instrument with 6 to 10 dispenses of distilled water.
- Prior to prolonged storage, rinse it thoroughly with a good quality detergent for laboratory glassware and thereafter with multiple dispenses of distilled water.
- If the plunger and/or valve seems stuck in the barrel assembly, DO NOT FORCE THEM TO MOVE. Remove the glass bottle and immerse the entire instrument in hot water. After a few minutes and while the instrument is still immersed slowly move the plunger. When the plunger and/or valve are moving freely in the barrel assembly fully dispense 6 to 10 cycles of the hot water. Then remove the instrument from the water and reassemble the bottle and tubing.
- To prolong the life of the instrument and to keep the plunger and cylinder free of scratches from any particulate build-up, it is recommended that the procedure in step number 3 be carried out periodically as routine maintenance — especially if the plunger movement becomes unsmooth.

STERILIZING

The entire instrument can be autoclaved without dismantling at 121°C or below and at a pressure of one atmosphere. Use the dispenser after it has cooled to room temperature.

- 6 -

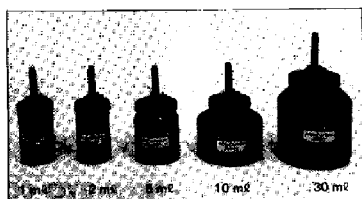
REPLACEABLE PARTS

Part Number in Figure 1	Part Name	Part Number in Figure 1	Part Name
1 + 2 + 3 12 + 13	* Post Assembly	15	Barrel/Nozzle Joint Tube
4 + 5	* Volume Indicator with Screw	17	Inlet Tube
6	* Plunger Assembly	18	* Glass Bottle
7	* Bottle Cap	19	Funnel
8	* Dispense Nozzle	not illustrated	Recycling Hole Cap
9	* Dispense Nozzle Cap	not illustrated	* Teflon® Extension Dispense Tube Set
10	* 500 mm Silicone Extension Tube	not illustrated	250 ml Tefzel® Insert Vessel for 500 ml and 1000 ml Bottle
11	* Glass Tip with Holder	not illustrated	Bottle-top Adaptor for 2000 ml Bottle to use with 5 ml or 10 ml instrument with a spare inlet tube
14 + 16	* Lock Nut & Barrel Assembly		

State the catalogue number and the volume range of the ACCUPENSER JUNIOR when ordering parts which are marked with an asterisk (*).

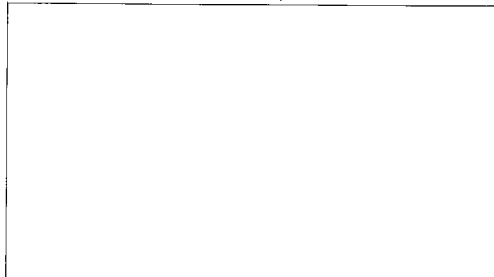
NOTE:

- 1 ml and 2 ml Accupenser Juniors can be used only with the 250 ml bottle.
- 5 ml and 10 ml Accupenser Juniors can be used either with the 500 ml or 1000 ml bottle, and with 2000 ml bottle using the bottle-top adapter. A 250 ml Tefzel® insert vessel for 500 ml and 1000 ml bottle is available to use with the 5 ml and 10 ml Accupenser Juniors.



- 7 -

For repair, service or further information please contact:



MANUFACTURER:  NICHIRYO CO., LTD.